



RLF22-54-G/47/74b

Reflection light beam switch with polarisation filter for glass detection

# RLF22-54-G/47/74b

with 4-pin, M18 x 1 plastic connector

CE



- ◆ Detection range up to 4 m
- ◆ Sturdy plastic housing
- ◆ Optical surface made of scratch-resistant glass
- ◆ Pre-fault indication

Release date: 2003-11-27 18:25 Date of issue: 2005-07-04 418946\_ENG.xml

**General specifications**

Effective detection range	0 ... 4000 mm
Reflector distance	300 ... 4000 mm
Threshold detection range	5000 mm (with C110-2 reflector)
Light source	LED
Approvals	CE
Light type	red, modulated light
Diameter of the light spot	approx. 100 mm at 4000 mm detection range
Angle of divergence	approx. 2 °
Ambient light limit	60000 Lux

**Indicators/operating means**

Function display	LED, red
Operating elements	sensitivity adjuster

**Electrical specifications**

Operating voltage	10 ... 30 V DC
Ripple	10 %
No-load supply current $I_0$	40 mA

**Output**

Switching type	light/dark switching
Signal output	2 pnp, antivalent, short-circuit proof, protected against reverse polarity
Switching voltage	30 V DC
Switching current	max. 200 mA
Switching frequency f	35 Hz
Response time	10 ms

**Standard conformity**

Standards	EN 60947-5-2
-----------	--------------

**Ambient conditions**

Ambient temperature	-20 ... 60 °C (253 ... 333 K)
Storage temperature	-20 ... 75 °C (253 ... 348 K)

**Mechanical specifications**

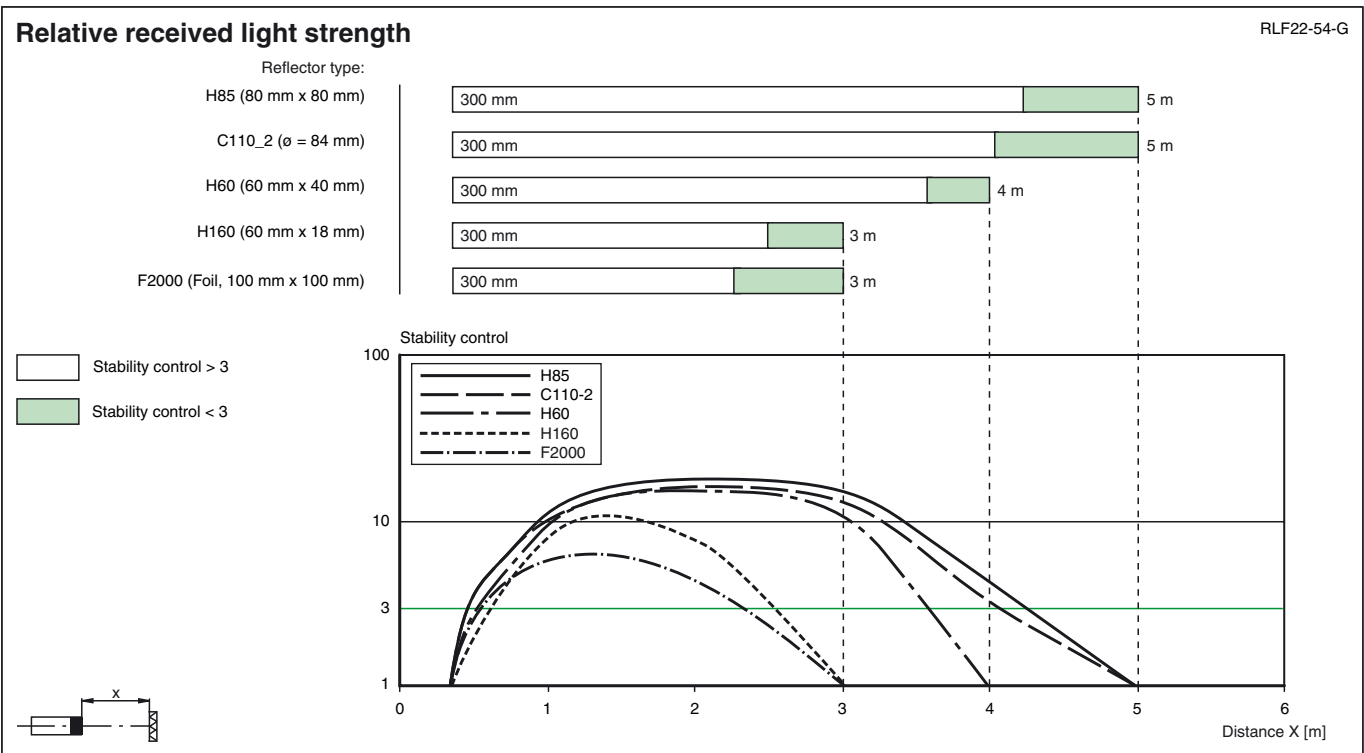
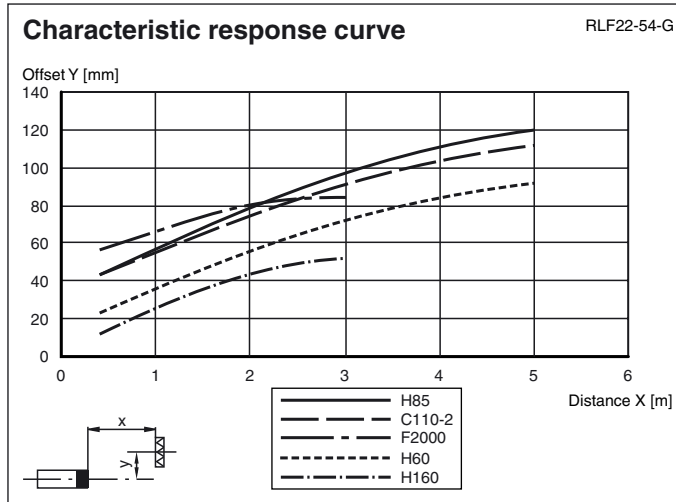
Protection degree	IP65
Connection	Flange connector series 714, 4-pin (including unwired, angled cable socket)
Material	
Housing	Terluran GV15
Optical face	glass
Mass	130 g

Release date: 2003-11-27 18:25 Date of issue: 2005-07-04 418946\_ENG.xml



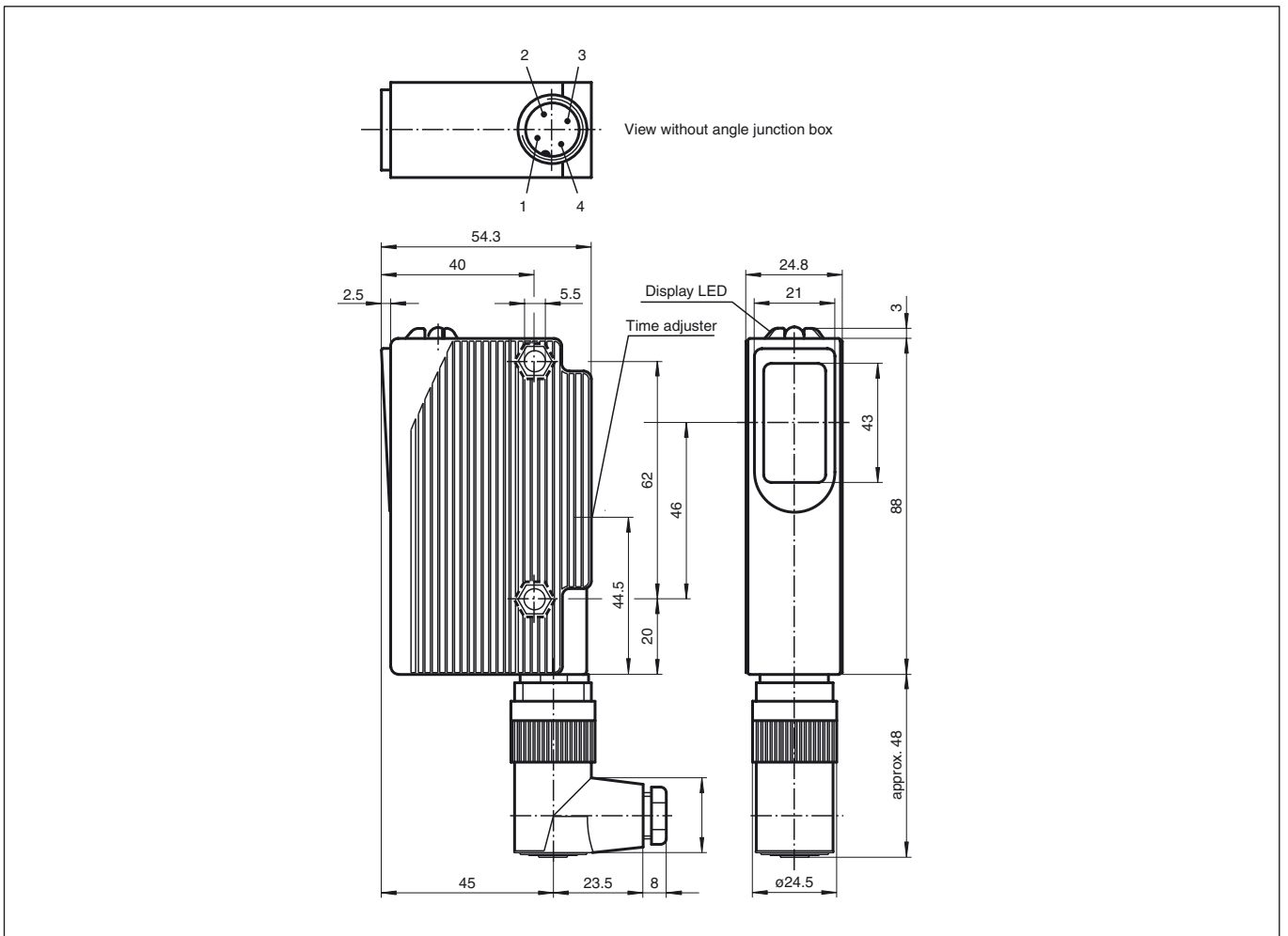
# RLF22-54-G/47/74b

## Curves/Diagrams

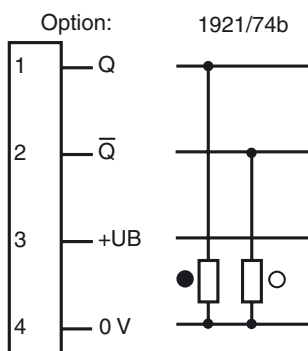


Release date: 2003-11-27 18:25 Date of issue: 2005-07-04 418946\_ENG.xml

Dimensions



Electrical connection



○ = light on, ● = dark on